



Engineered Single Use Solutions...Reducing Operational Cost, Improving Production Efficiency



- Molded & Unitized Construction (No Adhesives)
- Certified Sterile with Fast Delivery
- Cost Effective Aseptic Transfer & Sampling Device
- One Continuous Flow Path
- Torque Wrench Capable
- Lot Traceable
- Meets USP Class VI

<u>Features</u>	<u>Benefits</u>
◇ One Piece Molded Cap Design	<ul style="list-style-type: none"> <li>○ Reduces contamination &amp; product loss associated w/ barbed fittings</li> <li>○ Closed system protects product integrity</li> <li>○ Provides aseptic seal for high purity biologicals</li> </ul>
◆ Materials of Construction	<ul style="list-style-type: none"> <li>● C-Flex® ADCF Tubing (Heat weldable/sealable) – ADCF Polypropylene Cap</li> </ul>
◇ Single Use	<ul style="list-style-type: none"> <li>○ Cost effective</li> <li>○ Reduced assembly &amp; installation time</li> <li>○ Eliminate cleaning validation</li> </ul>
◆ Custom Design Capabilities With Standard Product Deliveries	<ul style="list-style-type: none"> <li>● SaniSure® offers a full array of custom options including tubing,</li> <li>● fittings/end connections, sterile connectors and bottle variations</li> </ul>



Part Number	Bottle Volume	Bottle Material
CAP2V8-60PETG-X-2*	60 mL	Square PETG
CAP2V8-125PETG-X-2	125 mL	Square PETG
CAP2V8-250PETG-X-2	250 mL	Square PETG
CAP2V8-500PETG-X-2	500 mL	Square PETG
CAP2V8-1000PETG-X-2	1 Liter	Square PETG
CAP2V8-2000PC-X-2	2 Liter	Round PC

Bottle assembly includes: 25mm 0.2µm Vent Filter, Pinch Clamp & Tubing Plug.  
Individual Data Sheets are Available Online at [www.SaniSure.com](http://www.SaniSure.com)

### Packaging:

- Bagged, Labeled & Bar Coded to Your Specifications In an ISO Class 7 Clean Room

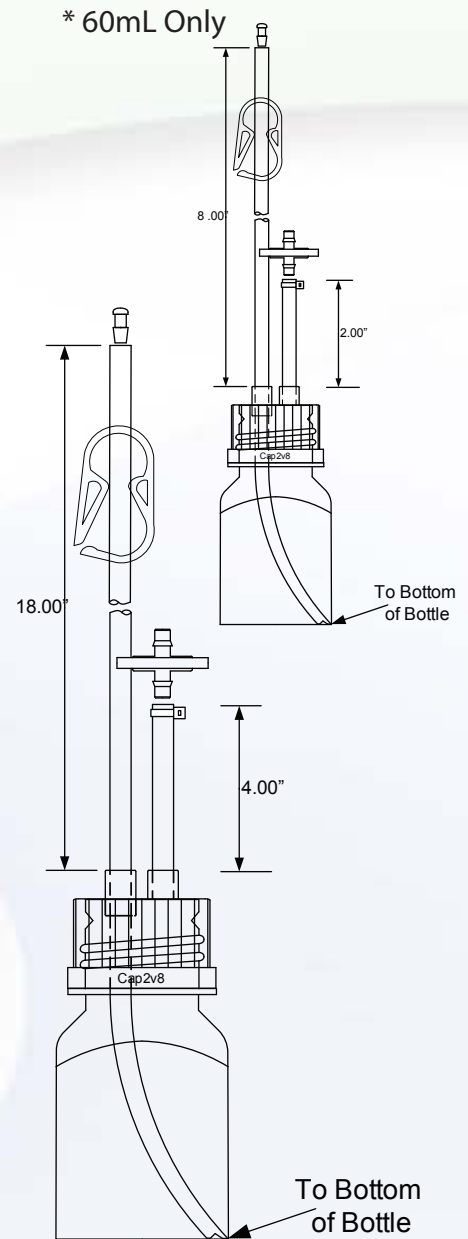


### Applications:

- Tissue & Cell Culture Media
- Cell Fermentation
- Pilot & Process Research & Development
- Laboratory Research
- Aseptic Sampling
- Vaccine Production
- Sterile Filling & Transfer

### Sterilization:

- Gamma Irradiated to Sterility Assurance Level 10<sup>-6</sup>



Please contact your SaniSure® representative for any custom Cap2v8® designs

SaniSure Inc.

P.O. Box 2360

Moorpark, CA 93021

Toll Free (877) 777-3005

[www.SaniSure.com](http://www.SaniSure.com)

**IMPORTANT:** It is the user's responsibility to ensure the suitability and safety of SaniSure, Inc. products for all intended uses.

For a period of 90 days from the date of first sale, SaniSure, Inc. warrants this product to be free from defects in materials and workmanship. Our only obligation will be to replace any portion proving defective, or at our option, to refund the purchase price thereof. User assumes all other risk, if any, including the risk of injury, loss or damage, direct or consequential, arising out of the use, misuse, or inability to use, this product. THIS WARRANTY IS IN LIEU OF THE WARRANTIES OF MERCHANTABILITY, FITNESS FOR PARTICULAR PURPOSE, AND ALL OTHER WARRANTIES, EXPRESSED OR IMPLIED. No deviation is authorized.

SaniSure, Inc. assumes no obligations or liability for any advice furnished by it or for results obtained with respect to those products. All such advice is given and accepted at the buyer's risk. SaniSure® is a trademark of SaniSure, Inc.® All rights reserved. C-Flex® is a registered trade mark of Saint-Gobain Performance Plastics Corporation

C28-25-38-01